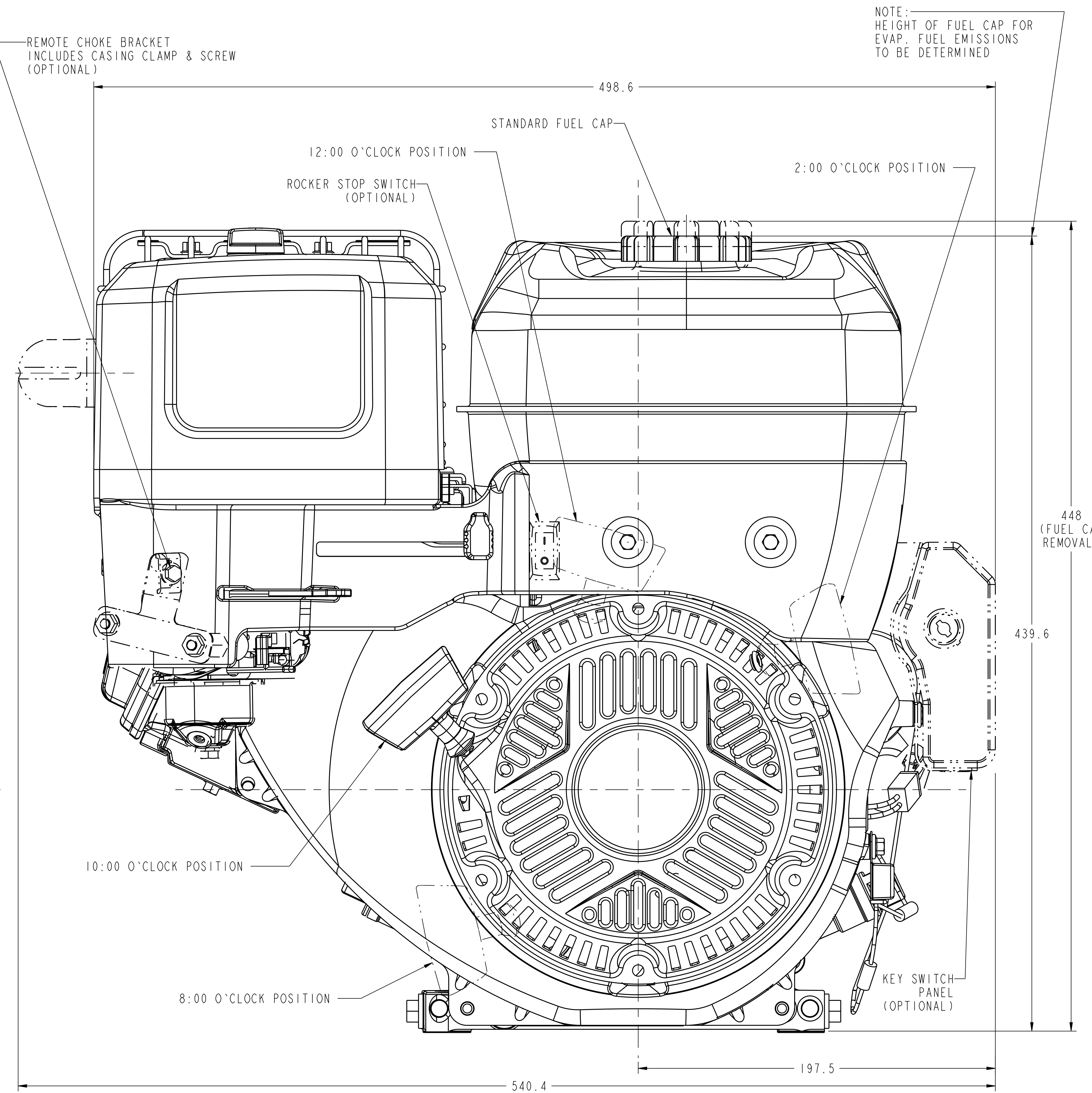


LEFT SIDE VIEW



REWIND HANDLE POSITION OPTIONS

FRONT VIEW

UTILITY ENGINE

NOTE:
HEIGHT OF FUEL CAP FOR
EVAP. FUEL EMISSIONS
TO BE DETERMINED

REFER TO 3-0 DATA FOR ADDITIONAL INFORMATION		THIS DRAWING IS PROPRIETARY PROPERTY OF BRIGGS & STRATTON CORPORATION. IT IS TO BE USED ONLY FOR THE PURPOSES INTENDED AND RETURN PROMPTLY AFTER USE.		DIMENSIONING AND SIZE TOLERANCING PER ASME Y14.5M-1994		SCALE: 1.00		UNCONTROLLED DOCUMENT WHEN PRINTED		
REV. CHANGES:		BY	DOC. NO.	DATE	DIMENSIONS IN MILLIMETERS		MATERIAL:		DRAWN: DTS 05/13/11 SIMILAR TO: -	
-	RELEASED FOR PRODUCTION	DTS	ERN11296	02/23/10	CLASSIFICATION OF CHARACTERISTICS		APPR: ETS		250000-0000-16	
A	REDRAWN: ADDED SHEET'S 3 THRU 9	DTS	ECN016559	06/13/11	DOUBLE MAJOR(MM_00) CRITICAL(C_00) MAJOR(M_00)		DO NOT SCALE DRAWING		REV. SHEET 1 OF 9	

REV.	CHANGES:	BY	DOC. NO.	DATE
-	RELEASED FOR PRODUCTION	DTS	ERN11296	02/23/10
A	REDRAWN: ADDED SHEET'S 3 THRU 9	DTS	ECN016559	06/13/11

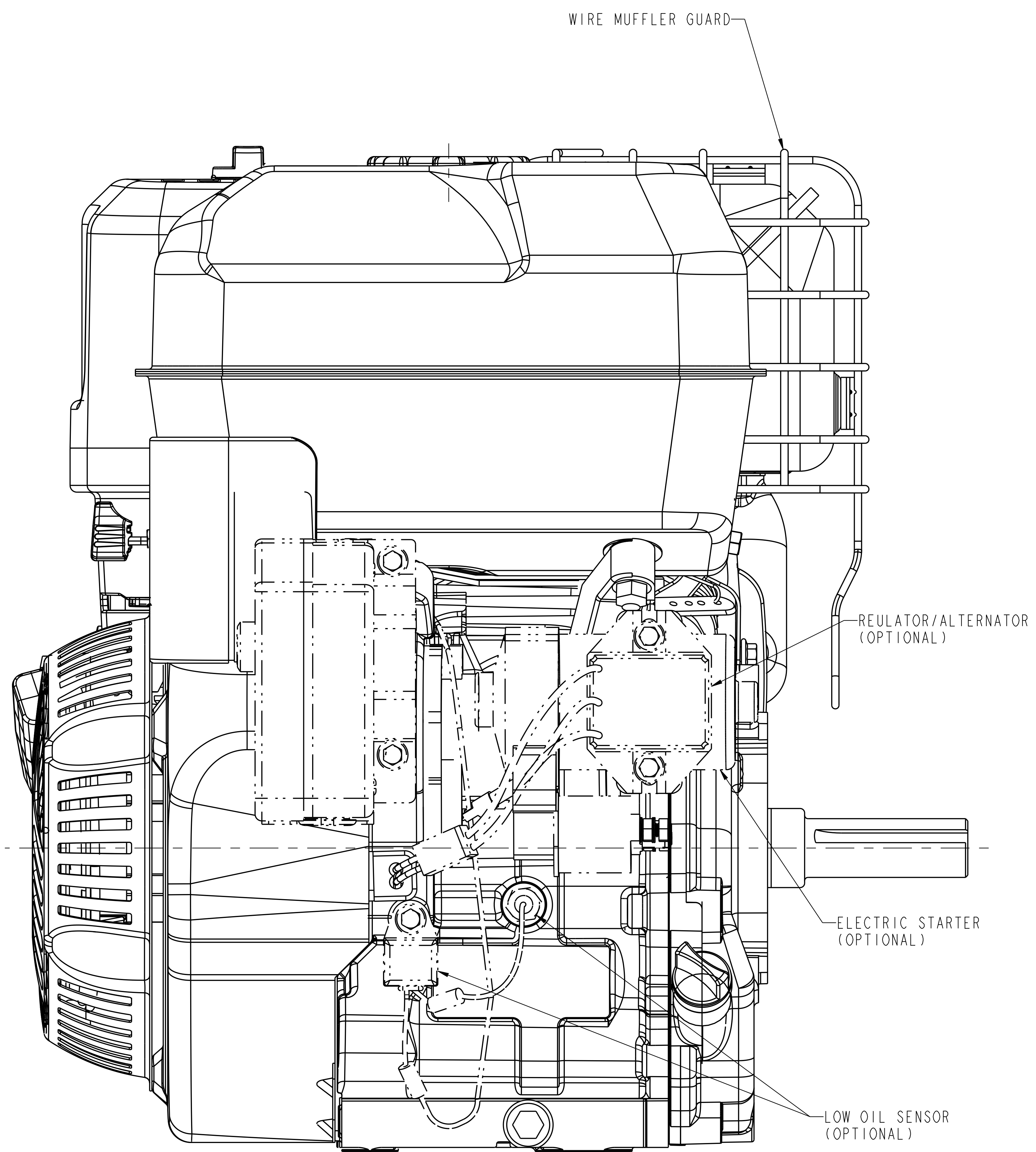


BRIGGS & STRATTON CORP.

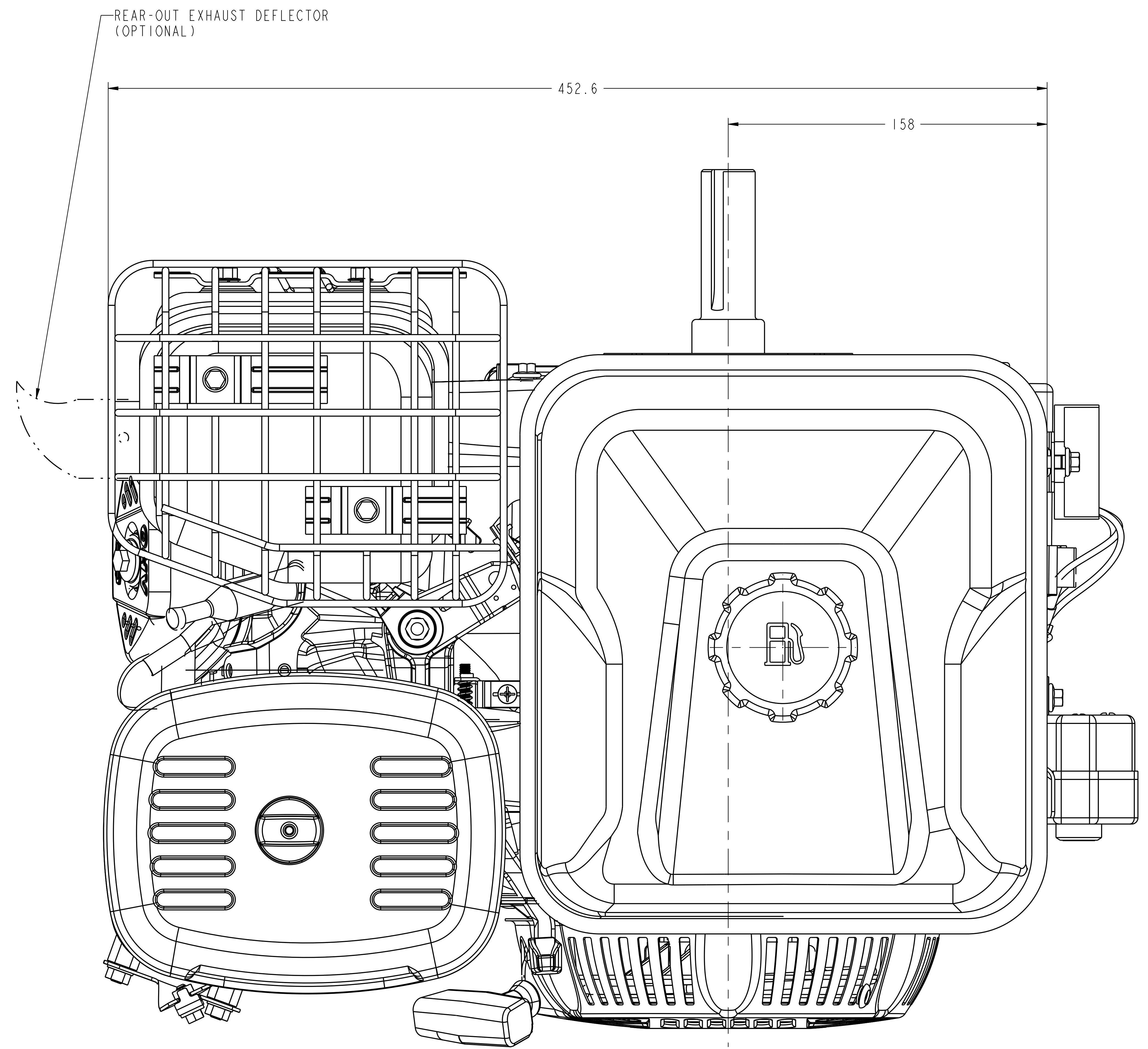
TITLE: MODEL 25 ENGINE APPLICATION DRAWING

MATERIAL:

DO NOT SCALE DRAWING



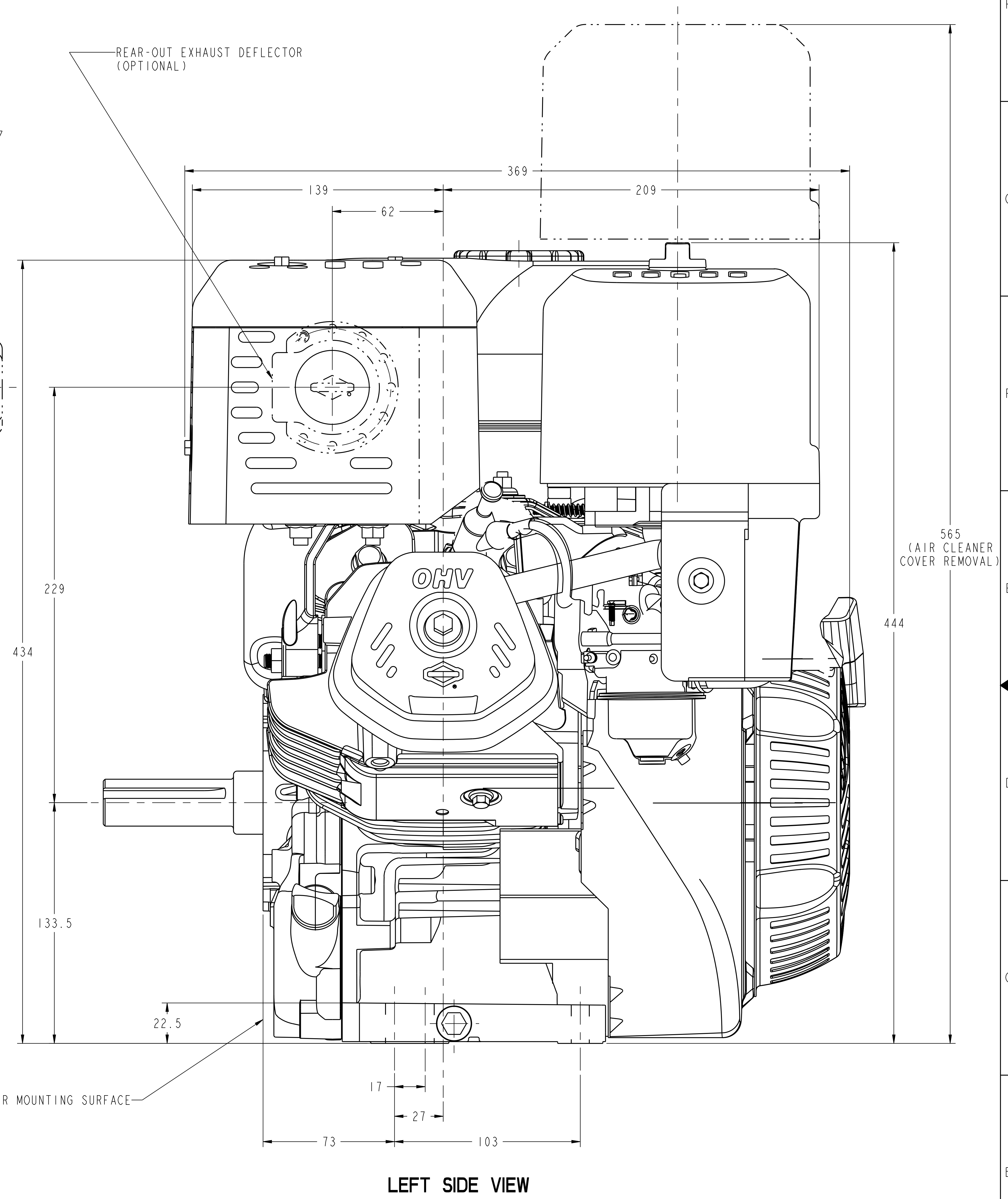
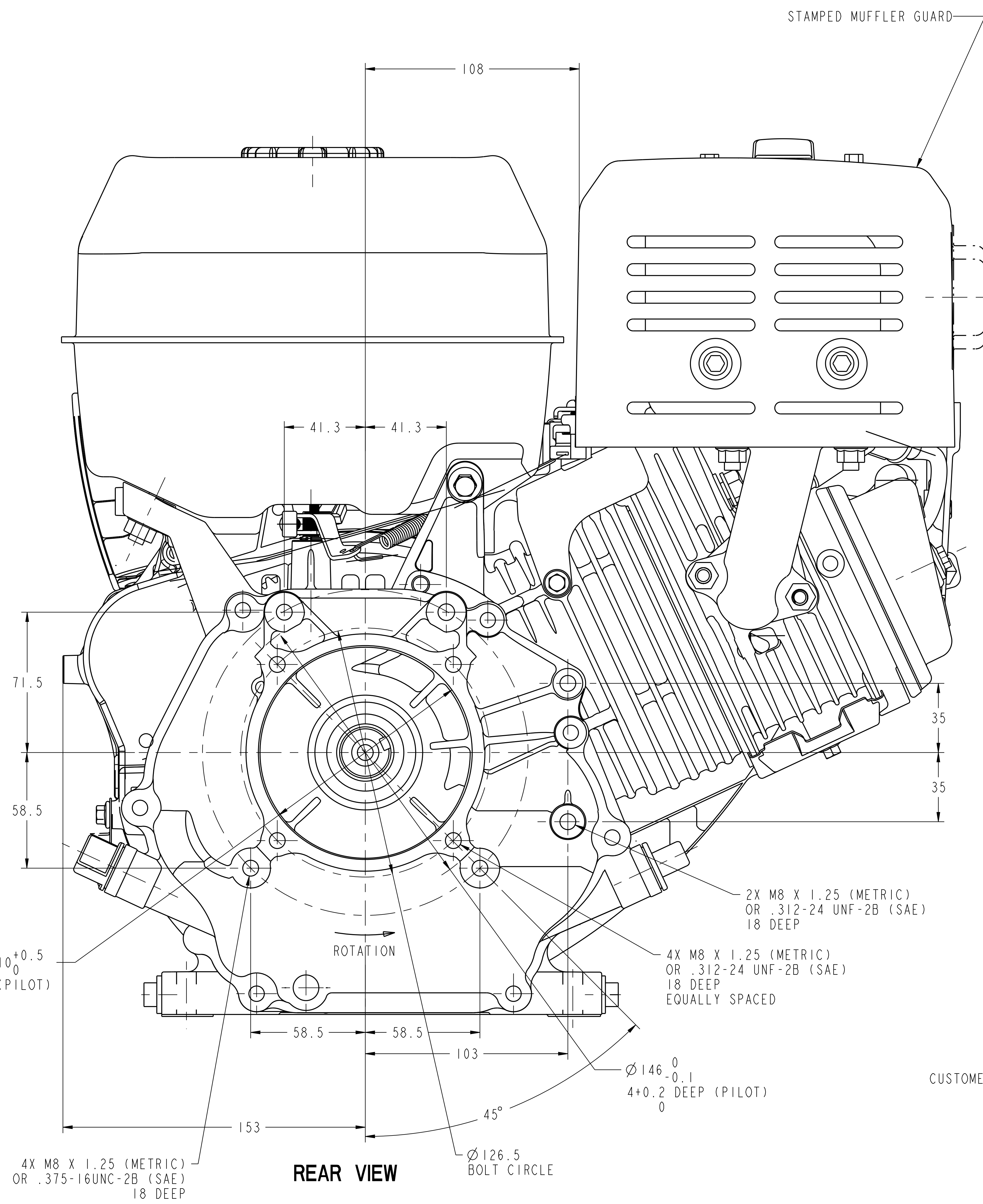
RIGHT SIDE VIEW



TOP VIEW
(WITH WIRE MUFFLER GUARD)

UTILITY ENGINE

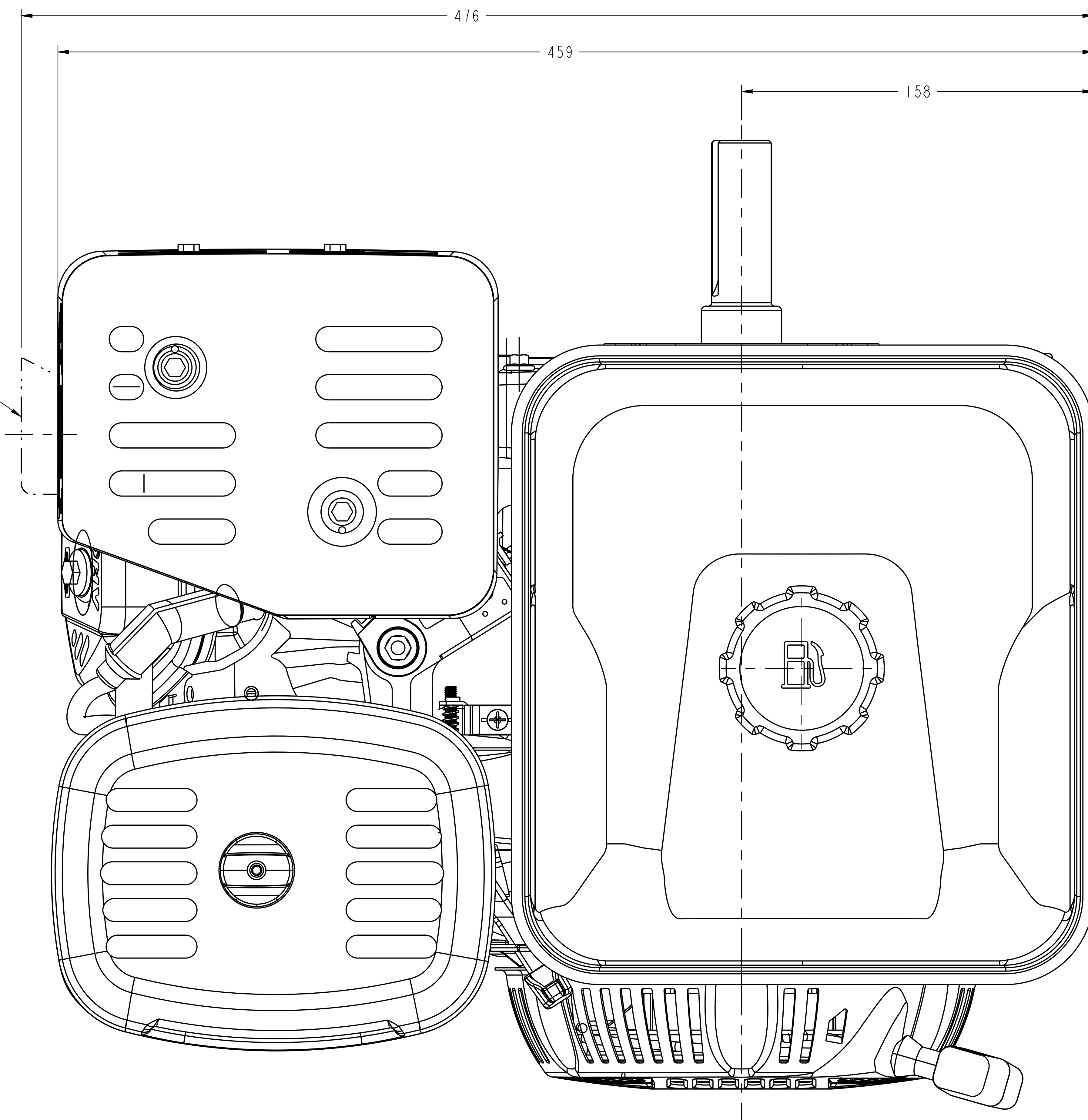
REV		CHANGES		BY	DOC. NO.	DATE	REFER TO 3-D DATA FOR ADDITIONAL INFORMATION		THIS DRAWING IS PROPRIETARY PROPERTY OF BRIGGS & STRATTON CORPORATION. IT IS TO BE USED ONLY FOR THE PROJECT AND MUST BE RETURNED PROMPTLY AFTER USE.		DIMENSIONING AND SIZE TOLERANCING PER ASME Y14.5M-1994		SCALE: 1.00		UNCONTROLLED DOCUMENT WHEN PRINTED	
-	RELEASED FOR PRODUCTION			DTS	ERN11296	02/23/10	METRIC DIMENSIONS IN MILLIMETERS		TITLES		MATERIAL:		DRAWN: DTS 05/13/11		SIMILAR TO: -	
A	REDRAWN: ADDED SHEETS 3 THRU 9			DTS	ECN016559	06/16/11	CLASSIFICATION OF CHARACTERISTICS		APPROVED		DO NOT SCALE DRAWING		250000-0000-16		REV 2 of 9	
								DOUBLE MAJOR(MM_00) CRITICAL(C_00) MAJOR(M_00)		BRIGGS & STRATTON		BRIGGS & STRATTON CORP.		TITLE: MODEL 25 ENGINE APPLICATION DRAWING		



UTILITY ENGINE

REFER TO 3-0 DATA FOR ADDITIONAL INFORMATION		THIS DRAWING IS PROPRIETARY PROPERTY OF BRIGGS & STRATTON CORPORATION. IT IS TO BE USED ONLY FOR THE PURPOSES SPECIFIED HEREIN. RETURN PROMPTLY AFTER USE.		DIMENSIONING AND SIZE TOLERANCING PER ASME Y14.5M-1994		SCALE: 1.00		UNCONTROLLED DOCUMENT WHEN PRINTED			
REV. CHANGES:		BY	DOC. NO.	DATE	METRIC DIMENSIONS IN MILLIMETERS		MATERIAL:		TITLE: MODEL 25 ENGINE APPLICATION DRAWING		
-	RELEASED FOR PRODUCTION	DTS	ERN11296	02/23/10			DRAWN: DTS 05/13/11		SIMILAR TO: -		
A	REDRAWN: ADDED SHEET'S 3 THRU 9	DTS	ECN016559	06/13/11			APPR: ETS		250000-0000-16		
						CLASSIFICATION OF CHARACTERISTICS		DO NOT SCALE DRAWING		REV. SHEET 3 of 9	
						DOUBLE MAJOR(MM.00) CRITICAL(C..00) MAJOR(M..00)					

REAR-OUT EXHAUST DEFLECTOR
(OPTIONAL)

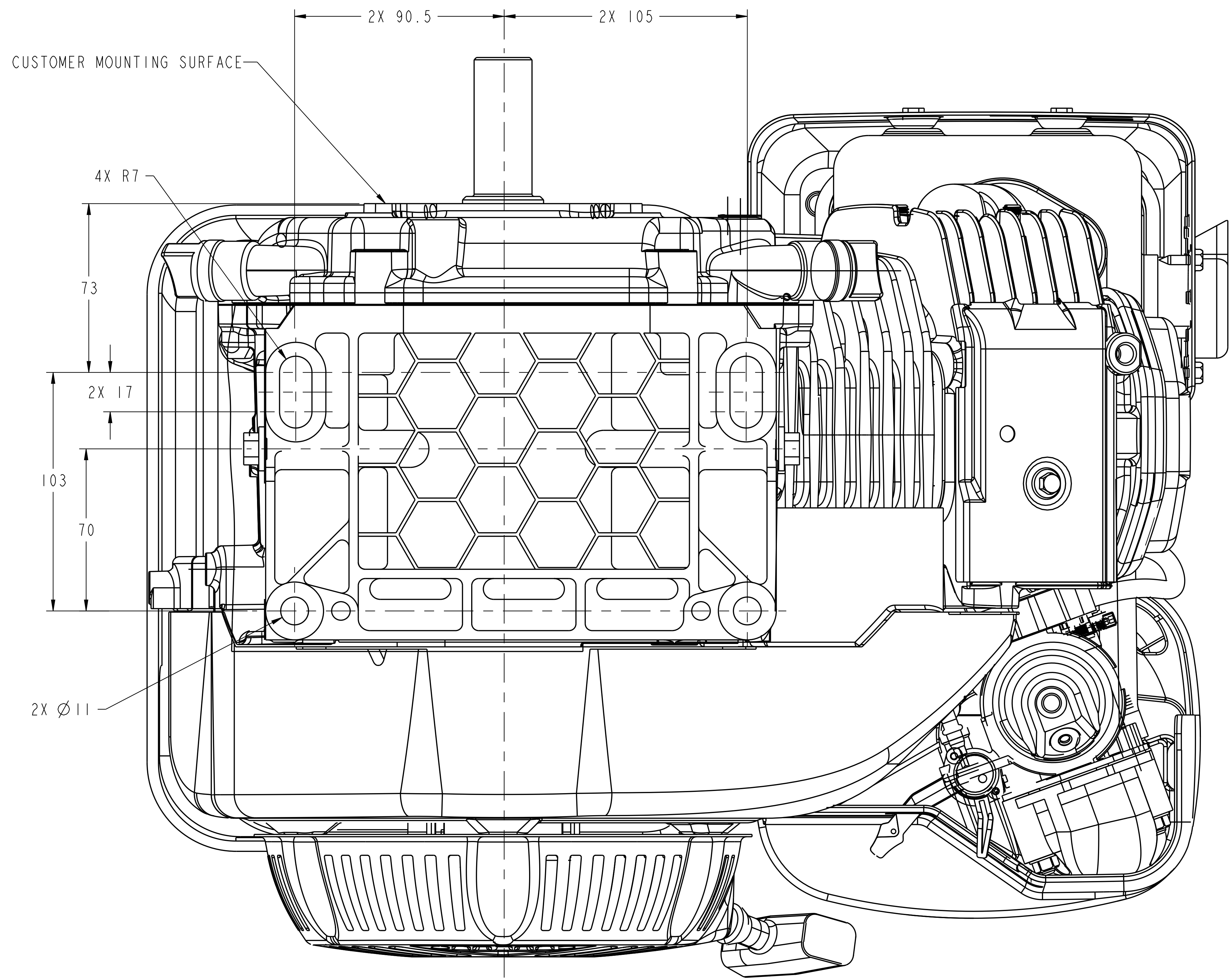


TOP VIEW
(WITH STAMPED MUFFLER GUARD)

UTILITY ENGINE

REV	CHANGES	BY	DOC. NO.	DATE
-	RELEASED FOR PRODUCTION	DTS	ERN11296	02/23/10
A	REDRAWN: ADDED SHEET'S 3 THRU 9	DTS	ECN016559	06/13/11

REFER TO 3-0 DATA FOR ADDITIONAL INFORMATION		<small>THIS DRAWING IS PROPRIETARY PROPERTY OF BRIGGS & STRATTON CORPORATION. IT IS TO BE USED ONLY FOR THE PROJECT AND RETURN PROMPTLY AFTER USE.</small>		<small>DIMENSIONS AND SIZE TOLERANCING PER ASME Y14.5M-1994</small> E	BRIGGS & STRATTON CORP.
<small>UNCONTROLLED DOCUMENT WHEN PRINTED</small>		<small>SCALE: 1.00</small>		TITLE: MODEL 25 ENGINE APPLICATION DRAWING	
<small>CLASSIFICATION OF CHARACTERISTICS</small>		<small>DOUBLE MAJOR(MM..00) CRITICAL(C..00) MAJOR(M..00)</small>		<small>MATERIAL:</small>	<small>DRAWN: DTS 05/13/11</small>
<small>DO NOT SCALE DRAWING</small>				<small>APPR: ETS</small>	<small>SIMILAR TO: -</small>
<small>250000-0000-16</small>		<small>REV A</small>		<small>REV SHEET 4 of 9</small>	<small>250000-0000-16</small>



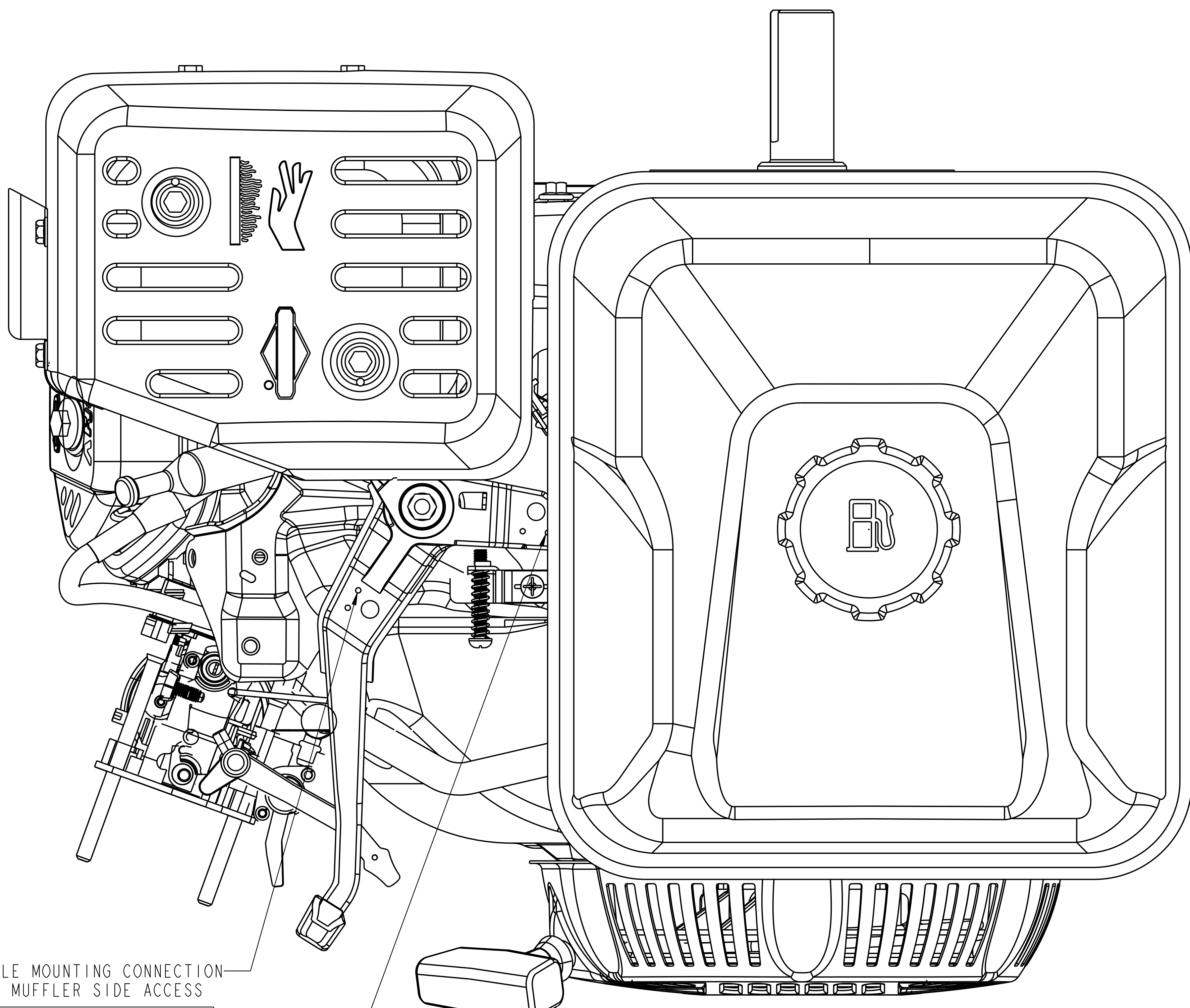
BOTTOM VIEW

UTILITY ENGINE

REV	CHANGES	BY	DOC. NO.	DATE
-	RELEASED FOR PRODUCTION	DTS	ERN1296	02/23/10
A	REDRAWN: ADDED SHEET'S 3 THRU 9	DTS	ECN016559	06/13/11

<small>REFER TO 3-D DATA FOR ADDITIONAL INFORMATION</small> <small>THIS DRAWING IS PROPRIETARY PROPERTY OF BRIGGS & STRATTON CORPORATION. IT IS TO BE USED ONLY FOR THE PROJECT AND MUST BE RETURNED TO THE ORIGINAL SOURCE PROMPTLY AFTER USE.</small>		<small>DIMENSIONING AND SIZE TOLERANCING PER ASME Y14.5M-1994</small> E	BRIGGS & STRATTON CORP.
<small>CLASSIFICATION OF CHARACTERISTICS</small> DOUBLE MAJOR(MM-.00) CRITICAL(C-.00) MAJOR(M-.00)		SCALE: 1.00 UNCONTROLLED DOCUMENT WHEN PRINTED	
<small>PROPERTY OF BRIGGS & STRATTON CORPORATION. IT IS TO BE USED ONLY FOR THE PROJECT AND MUST BE RETURNED TO THE ORIGINAL SOURCE PROMPTLY AFTER USE.</small>		TITLE: MODEL 25 ENGINE APPLICATION DRAWING	MATERIAL:
DRAWN: DTS 5/13/11 APPR: ETS		SIMILAR TO: - 250000-0000-16	REV. SHEET 5 of 9

SOLID WIRE CABLE



CABLE MOUNTING CONNECTION FOR MUFFLER SIDE ACCESS

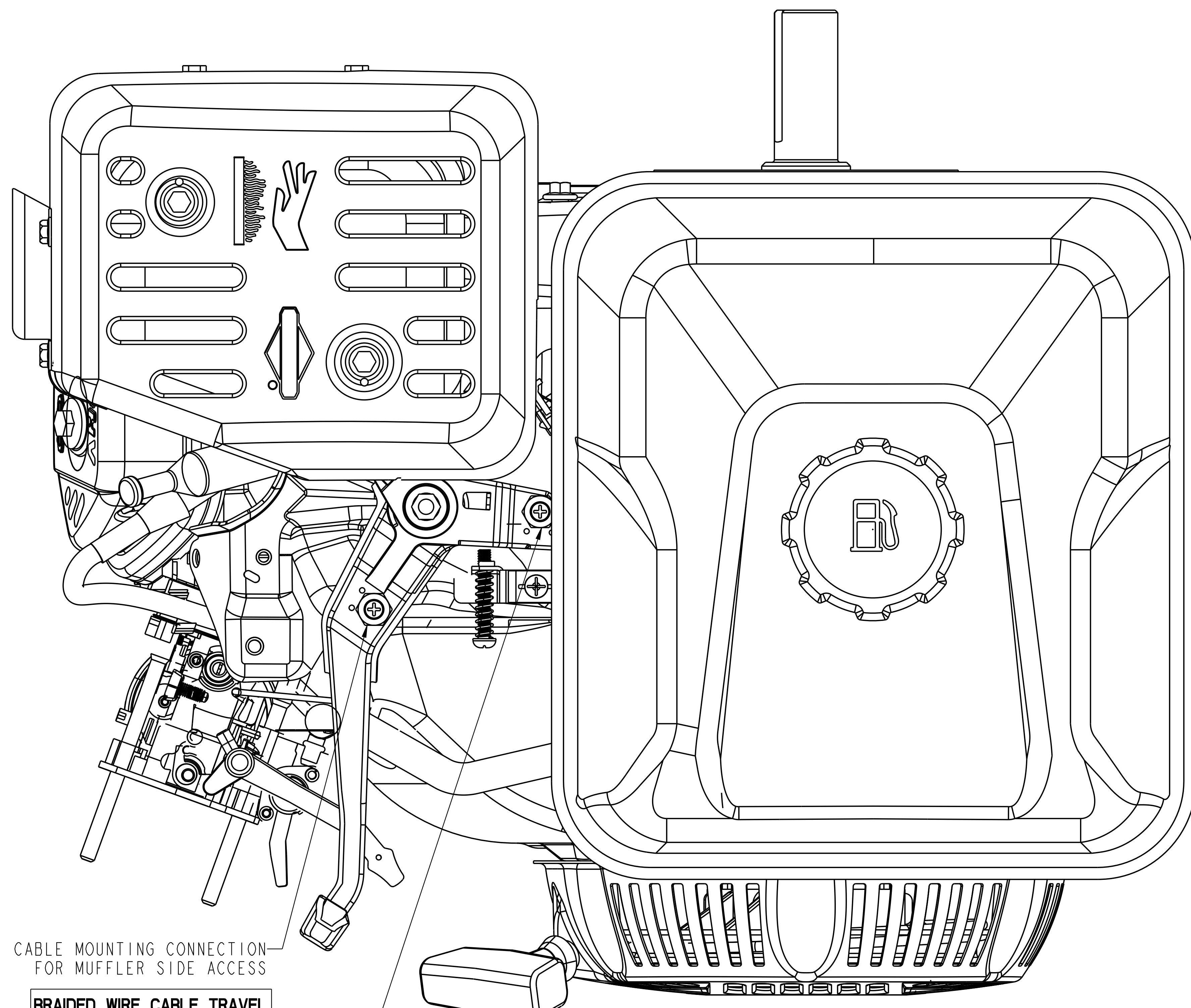
SOLID WIRE CABLE TRAVEL (WITHOUT STOP SWITCH)
MAX: 62 mm
MIN: 38 mm

CABLE MOUNTING CONNECTION FOR REWIND STARTER SIDE ACCESS

SOLID WIRE CABLE TRAVEL (WITHOUT STOP SWITCH)
MAX: 53 mm
MIN: 23 mm

TOP VIEW

BRAIDED WIRE CABLE



CABLE MOUNTING CONNECTION FOR MUFFLER SIDE ACCESS

BRAIDED WIRE CABLE TRAVEL (WITHOUT STOP SWITCH)
MAX: 70 mm
MIN: 44.5 mm

CABLE MOUNTING CONNECTION FOR REWIND STARTER SIDE ACCESS

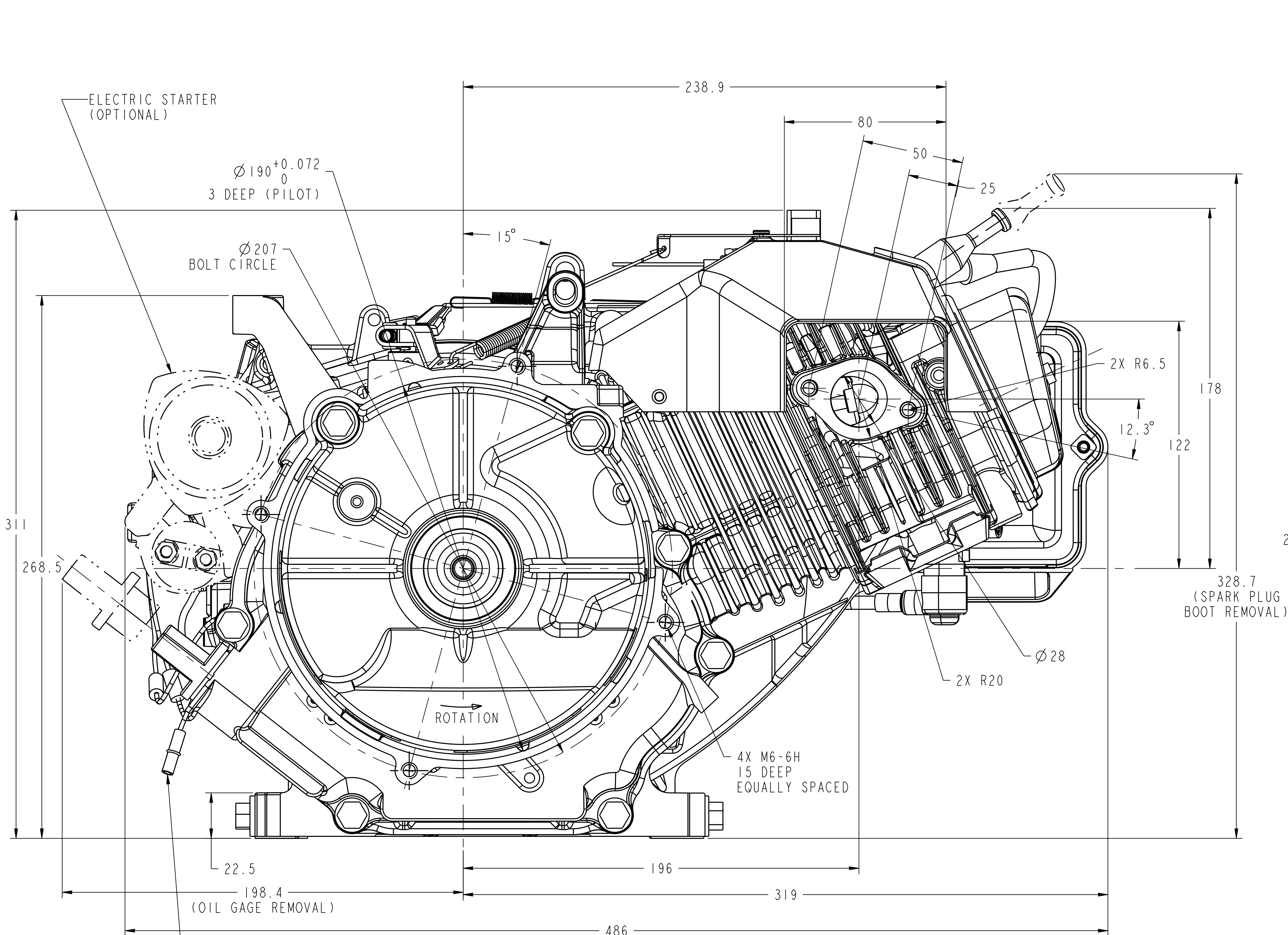
BRAIDED WIRE CABLE TRAVEL (WITHOUT STOP SWITCH)
MAX: 57 mm
MIN: 29 mm

TOP VIEW

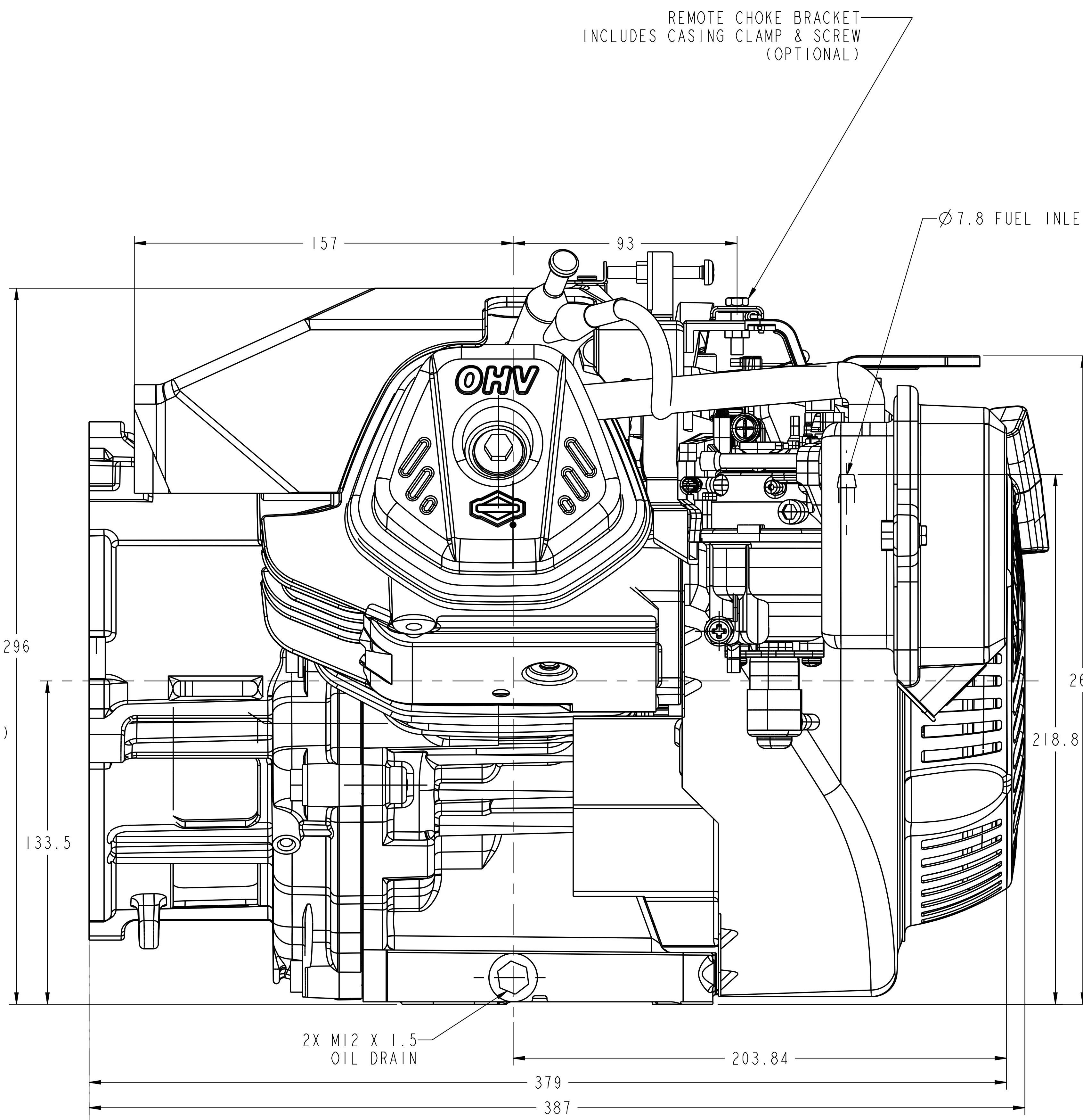
**REMOTE CABLE MANUAL FRICTION SPEED CONTROL OPTIONS
(SHOWN WITHOUT AIR CLEANER)**

UTILITY ENGINE

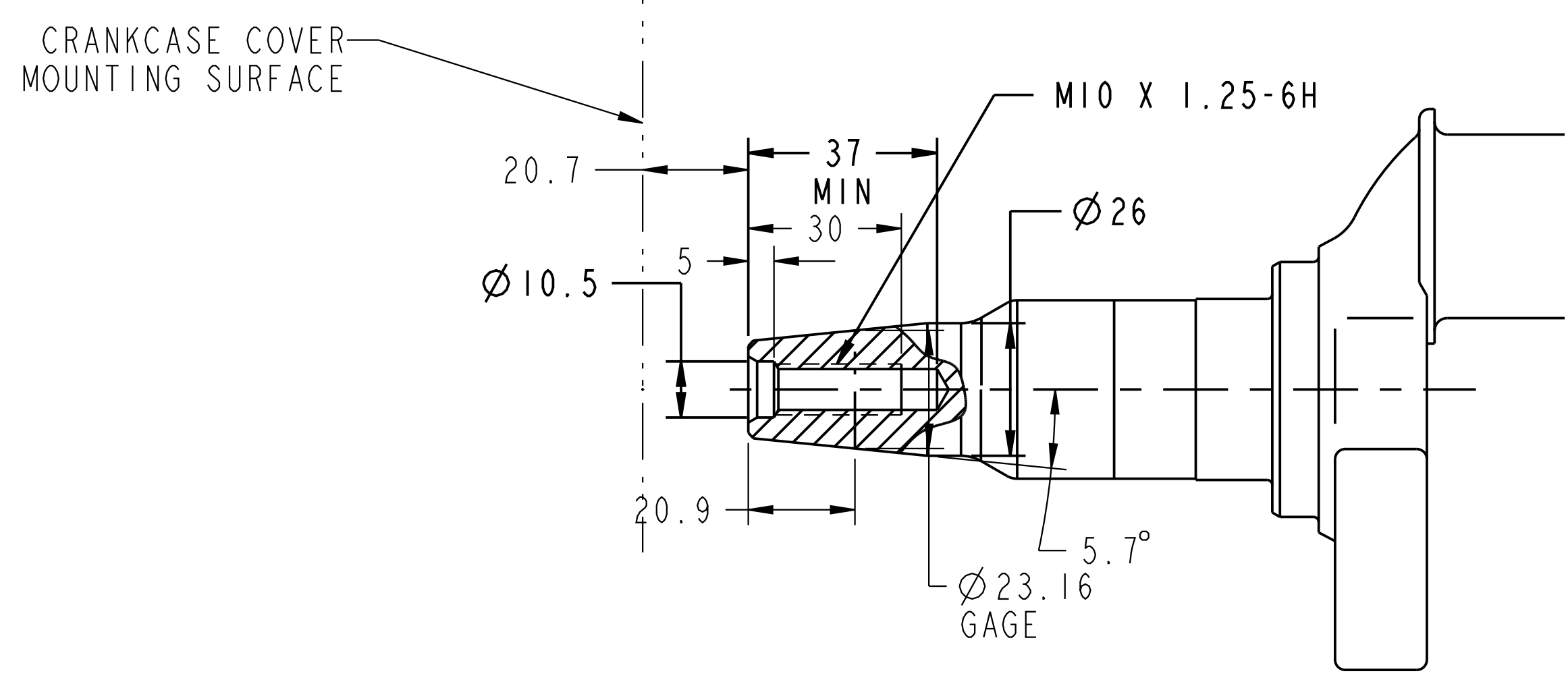
REFER TO 3-0 DATA FOR ADDITIONAL INFORMATION <small>THIS DRAWING IS PROPRIETARY PROPERTY OF BRIGGS & STRATTON CORPORATION. IT IS TO BE USED ONLY FOR THE PROJECT AND FOR WHICH IT WAS PREPARED. RETURN PROMPTLY AFTER USE.</small>		DIMENSIONS AND SIZE TOLERANCING PER ASME Y14.5M-1994 SCALE: 1.00	UNCONTROLLED DOCUMENT WHEN PRINTED TITLE: MODEL 25 ENGINE APPLICATION DRAWING MATERIAL: DRAWN: DTS 05/13/11 SIMILAR TO: - APPR: - DO NOT SCALE DRAWING
REV. CHANGES: - RELEASED FOR PRODUCTION A REDRAWN: ADDED SHEET'S 3 THRU 9	BY DOC. NO. DATE DTS ERN11296 02/23/10 DTS ECN016559 06/13/11	METRIC DIMENSIONS IN MILLIMETERS CLASSIFICATION OF CHARACTERISTICS DOUBLE MAJOR(MM-.00) CRITICAL(C-.00) MAJOR(M-.00)	BRIGGS & STRATTON BRIGGS & STRATTON CORP. 250000-0000-16 REV. SHEET 6 OF 9



REAR VIEW



LEFT SIDE VIEW

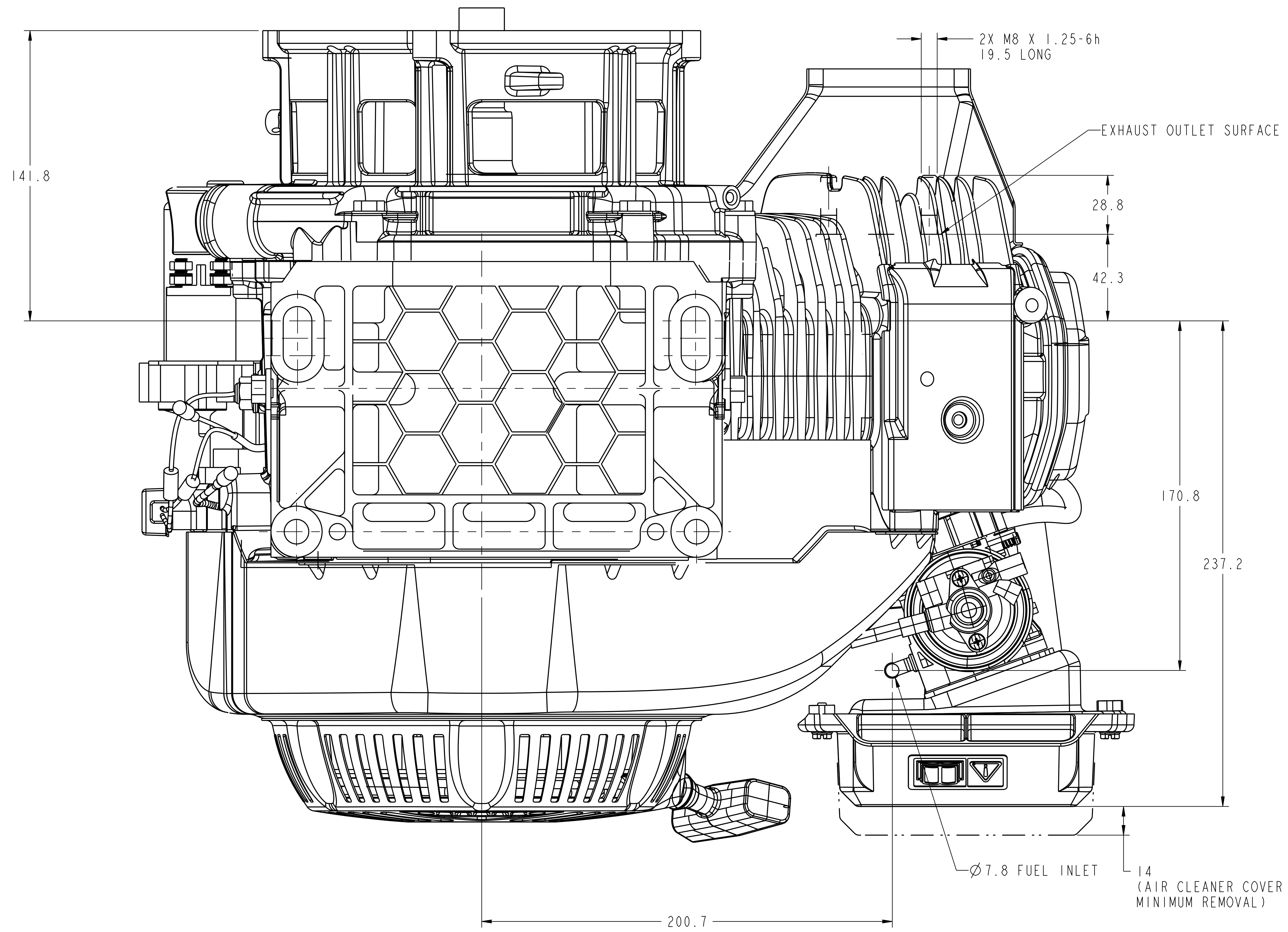


VIEW OF CRANKSHAFT EXTENSION
P.N. 816804

GENERATOR ENGINE W/ OPTIONAL INTEGRATED CRANKCASE COVER

REFER TO 3-0 DATA FOR ADDITIONAL INFORMATION		THIS DRAWING IS PROPRIETARY PROPERTY OF BRIGGS & STRATTON CORPORATION. IT IS TO BE USED ONLY FOR THE PURPOSES SPECIFIED HEREIN. RETURN PROMPTLY AFTER USE.		DIMENSIONING AND SIZE TOLERANCING PER ASME Y14.5M-1994		SCALE: 1.00		UNCONTROLLED DOCUMENT WHEN PRINTED	
MATERIAL:		DRAWN: DTS 05/13/11		SIMILAR TO: -		REV. SHEET 7 of 9		BRIGGS & STRATTON CORP.	
TITLE: MODEL 25 ENGINE APPLICATION DRAWING		APPR: ETS		250000-0000-16		DO NOT SCALE DRAWING			

REV.	CHANGES:	BY	DOC. NO.	DATE
-	RELEASED FOR PRODUCTION	DTS	ERN11296	02/23/10
A	REDRAWN: ADDED SHEET'S 3 THRU 9	DTS	ECN016559	06/13/11



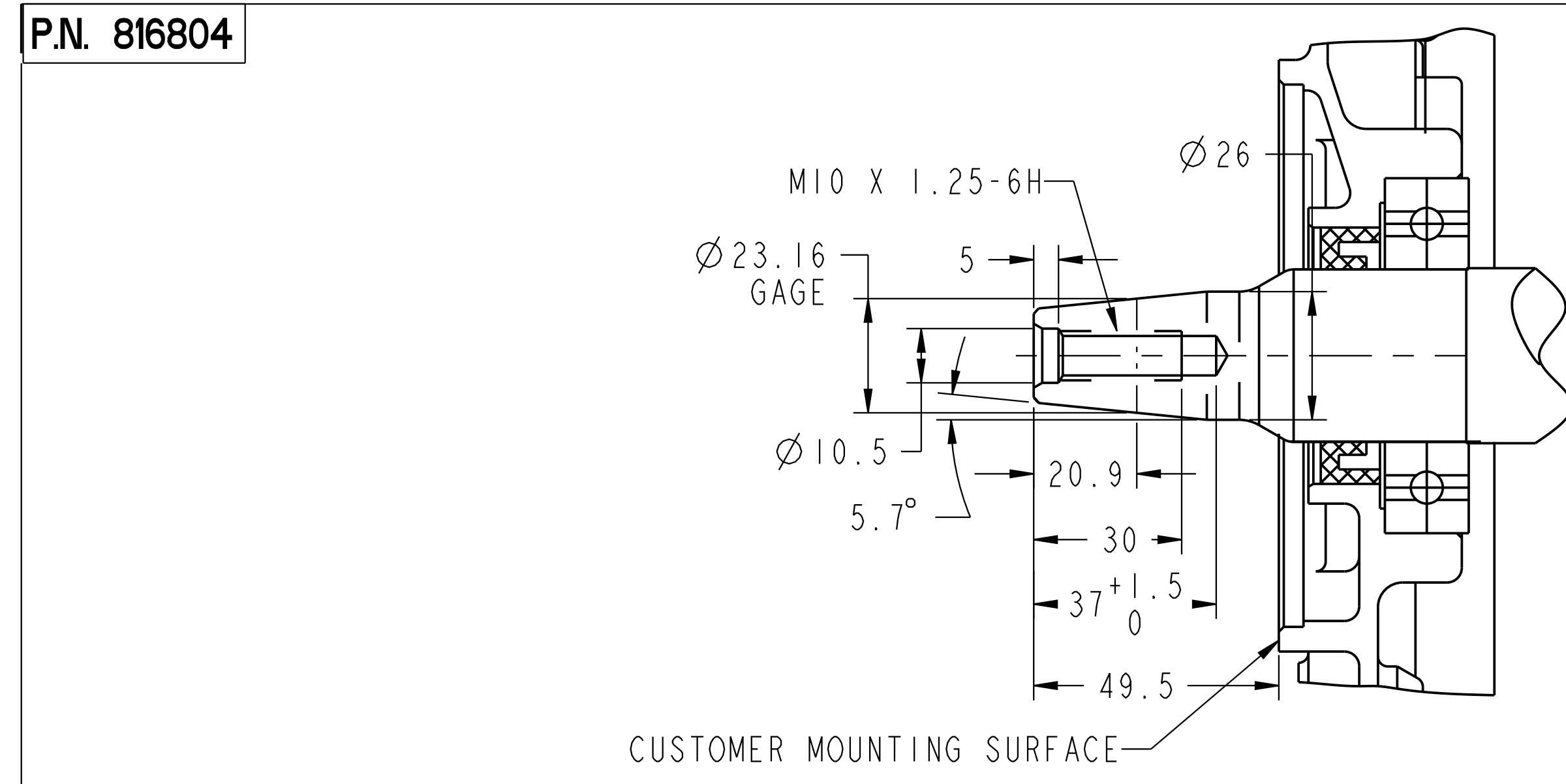
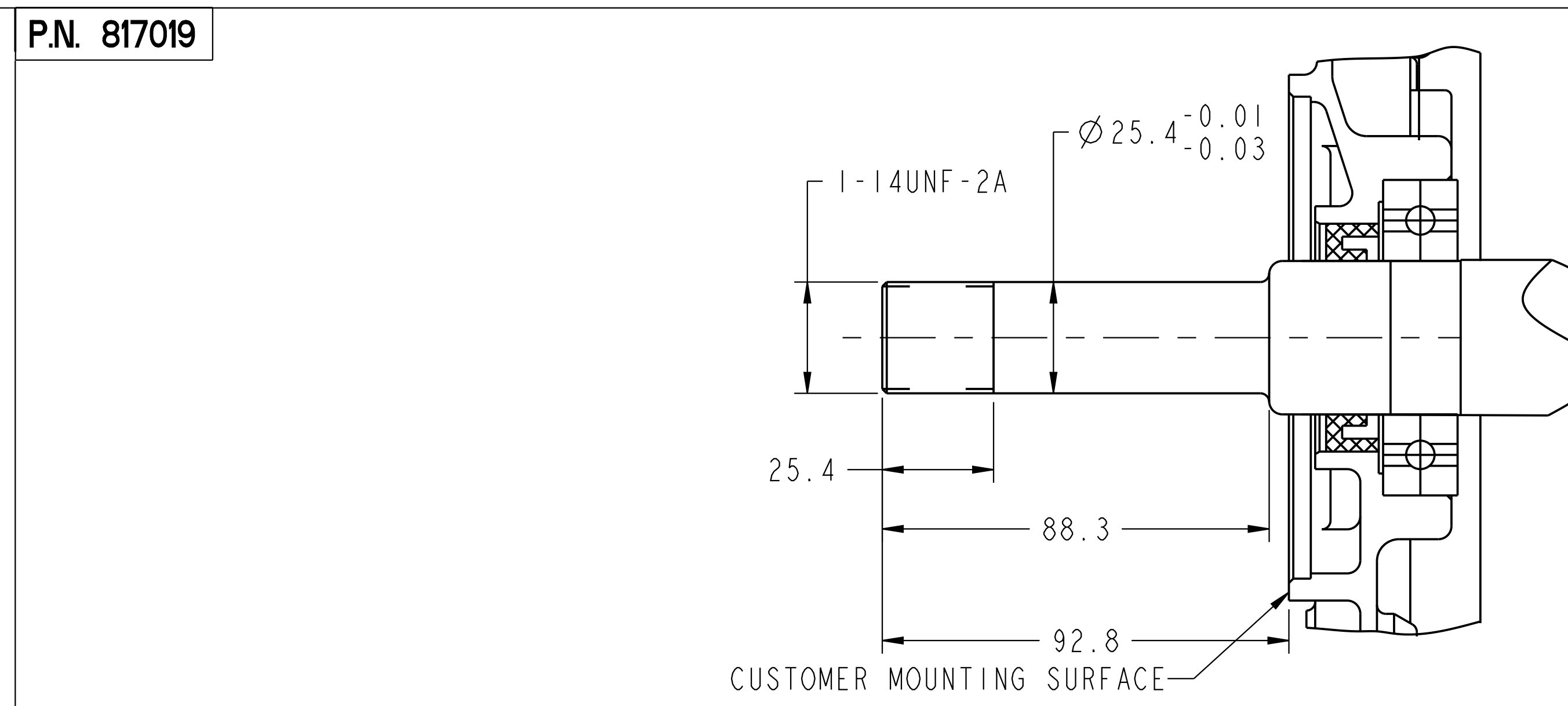
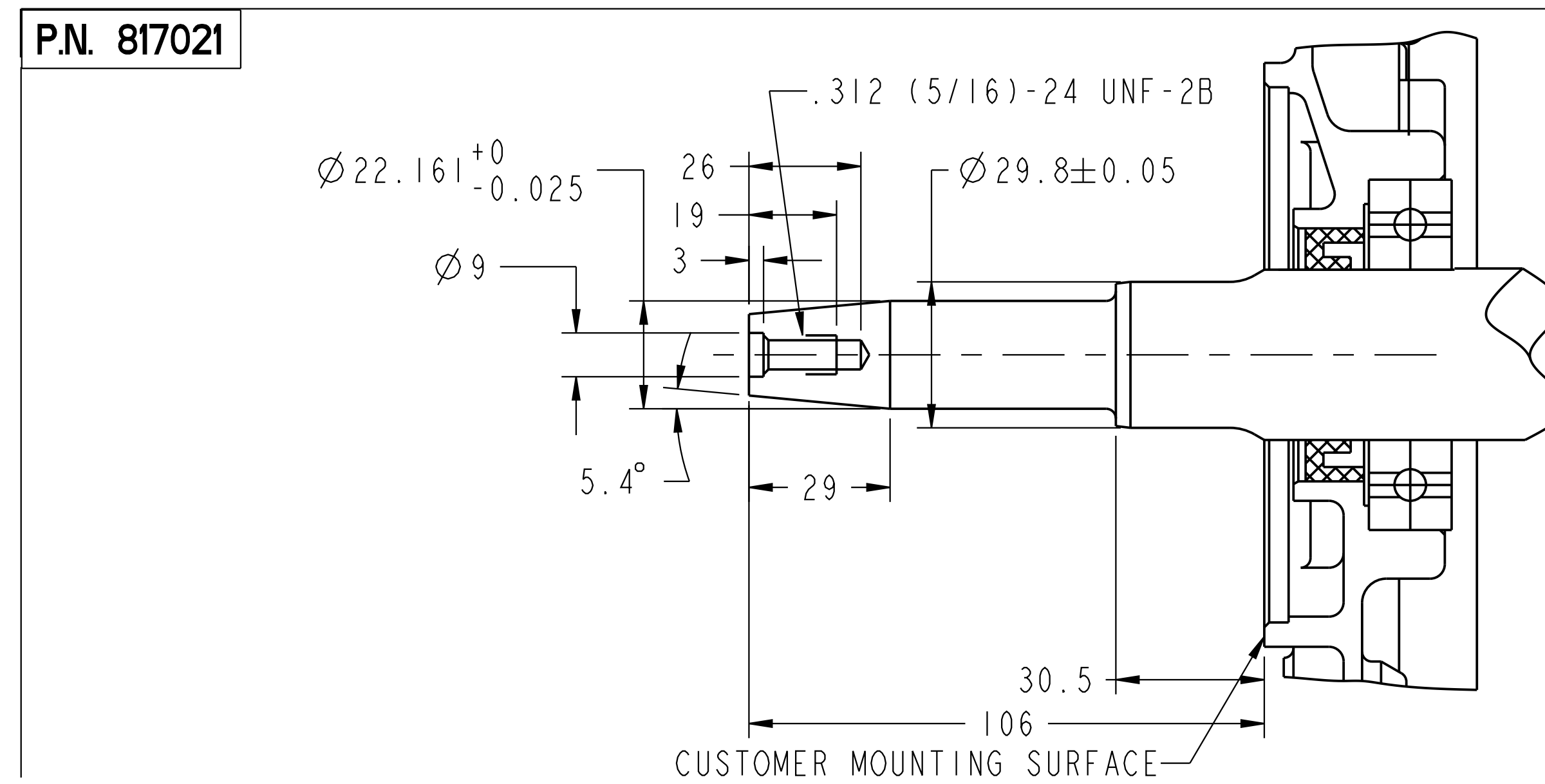
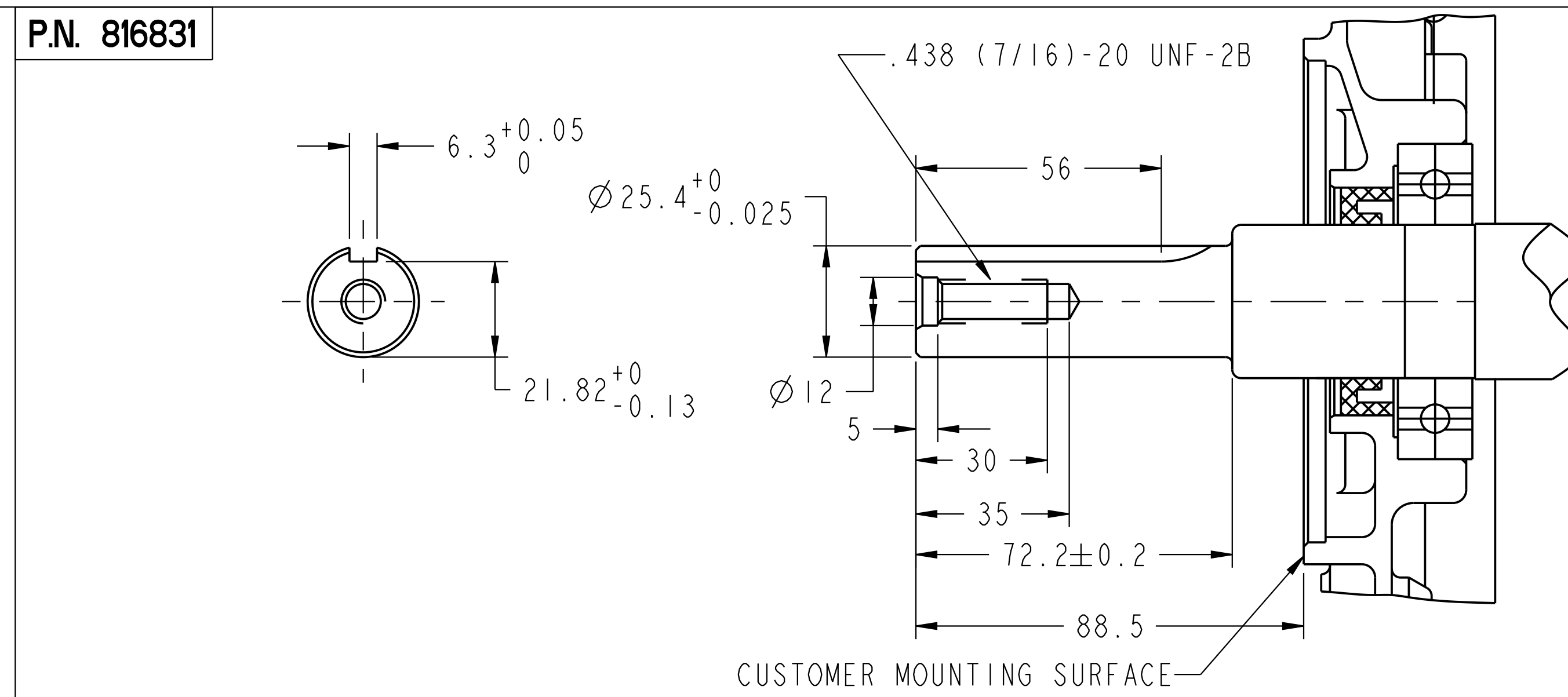
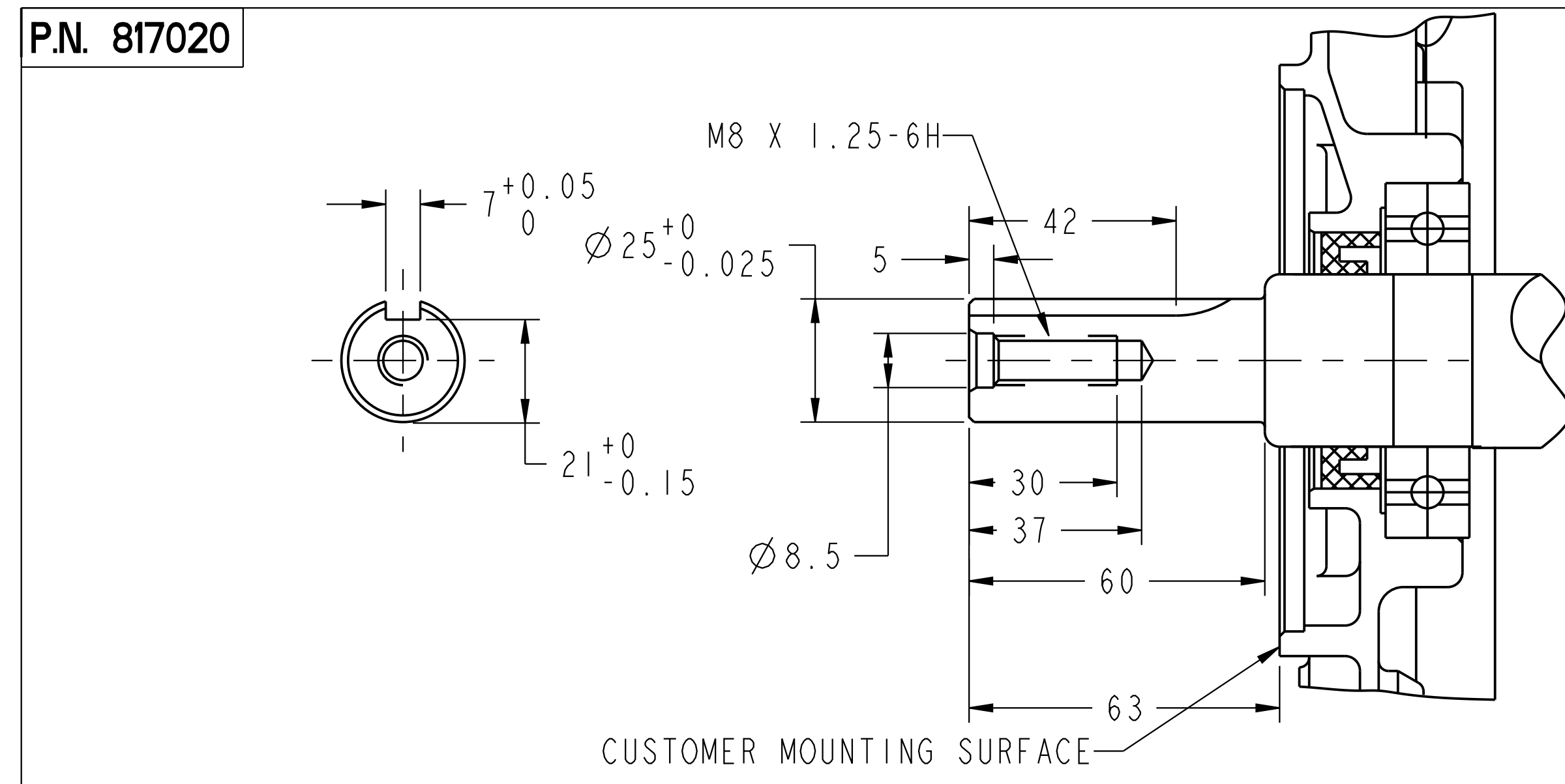
BOTTOM VIEW

GENERATOR ENGINE

W/ OPTIONAL INTEGRATED CRANKCASE COVER

REV	CHANGES	BY	DOC. NO.	DATE
-	RELEASED FOR PRODUCTION	DTS	ERN11296	02/23/10
A	REDRAWN: ADDED SHEET'S 3 THRU 9	DTS	ECN016559	06/13/11

<small>REFER TO 3-D DATA FOR ADDITIONAL INFORMATION</small> <small>THIS DRAWING IS PROPRIETARY PROPERTY OF BRIGGS & STRATTON CORPORATION. IT IS TO BE USED ONLY FOR THE PROJECT AND RETURN PROMPTLY AFTER USE.</small>	<small>DIMENSIONS AND SIZE TOLERANCING PER ASME Y14.5M-1994</small> E	BRIGGS & STRATTON CORP.
<small>SCALE: 1.00</small>	UNCONTROLLED DOCUMENT WHEN PRINTED	
<small>TITLE:</small>	MODEL 25 ENGINE APPLICATION DRAWING	
<small>MATERIAL:</small>		
<small>DRAWN: DTS 05/13/11</small>	<small>SIMILAR TO:</small>	<small>REV. SHEET</small>
<small>APPR: ETS</small>	<small>250000-0000-16</small>	<small>A 8 of 9</small>
<small>DO NOT SCALE DRAWING</small>		



CRANKSHAFT EXTENSION OPTIONS

UTILITY ENGINE

REFER TO 3-0 DATA FOR ADDITIONAL INFORMATION <small>THIS DRAWING IS PROPRIETARY PROPERTY OF BRIGGS & STRATTON CORPORATION. IT IS TO BE USED ONLY FOR THE PURPOSES SPECIFIED HEREIN. IT IS NOT TO BE REPRODUCED OR TRANSMITTED IN ANY FORM OR BY ANY MEANS, ELECTRONIC OR MECHANICAL, INCLUDING PHOTOCOPYING, RECORDING, OR BY ANY INFORMATION STORAGE AND RETRIEVAL SYSTEM. RETURN PROMPTLY AFTER USE.</small>				DIMENSIONING AND TOLERANCING PER ASME Y14.5M-1994 E		SCALE: 1.00 UNCONTROLLED DOCUMENT WHEN PRINTED	
REV. CHANGES:				BY DOC. NO. DATE		DIMENSIONS IN MILLIMETERS	
- RELEASED FOR PRODUCTION				DTS ERN11296 02/23/10		CLASSIFICATION OF CHARACTERISTICS	
A REDRAWN: ADDED SHEET'S 3 THRU 9				DTS ECN016559 06/13/11		MATERIAL:	
						DRAWN: DTS 05/13/11 SIMILAR TO: -	
						APPR: ETS	
						DO NOT SCALE DRAWING	
						250000-0000-16	
						REV. SHEET 9 OF 9	